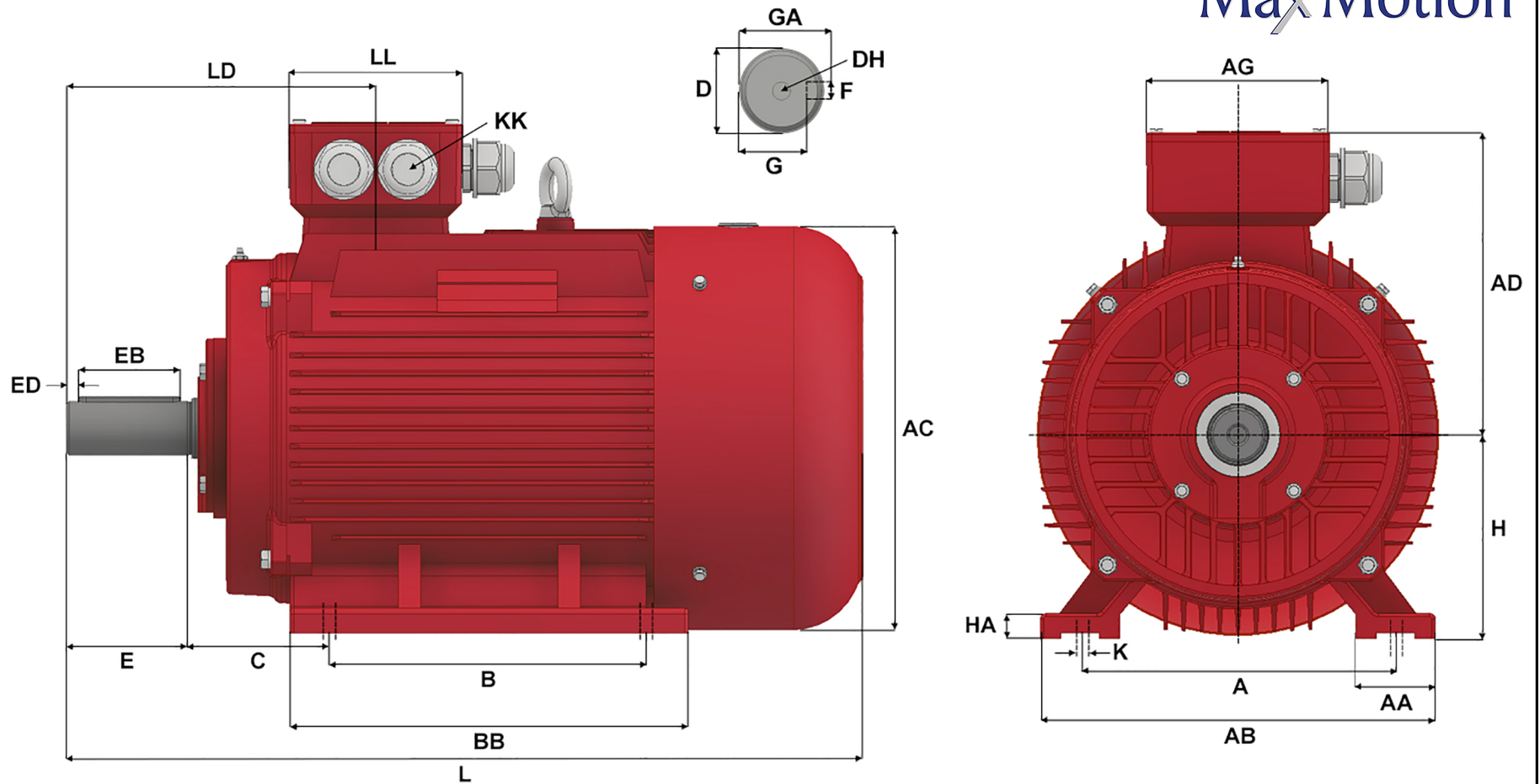


MaxMotion



Version: 1JLEM		Revised: 09-11-2019		HP	RPM	FRAME	ENCLOSURE	IJC280M-6-B3								
Customer is responsible in determining that Max Motion product will fit/perform suitably in the intended application								75	1180	280M	TEFC					
A	B	C	D	E	F	G	H	K	L	AA	AB	AC				
457	419	190	75	140	20	67.5	280	4 - Ø 24	1033	85	542	547				
AD	AG	BA	BB	DH	EB	ED	GA	HA	KK (1)	KK (2)	KK (3)	LD				
387	248	0	536	M20 X 42	125	7.5	79.5	35	M63 X 1.5	2" NPT	M16 X 1.5	355.5				
LL																
218																